

K-No.:26972

1A Differential Current Sensor for 5V Supply Voltage

Date: 14.02.2022

For the electronic measurement of current:
DC, AC, pulsed ..., with galvanic isolation between the primary and the secondary circuit

Customer: Standard type

Customers Part no:

Page 1 of 3

Description

- Closed loop (compensation) Current Sensor with magnetic probe
- Printed circuit board mounting
- Casing and materials UL-listed

Characteristics

- excellent accuracy
- very low offset current
- very low temperature dependency and offset drift
- very low hysteresis of offset current
- short response time
- wide frequency bandwidth
- compact design
- reduced offset ripple

Applications

Mainly used for stationary operation in industrial applications:

- Solar inverter

Electrical data - Ratings

I_{PN}	Primary nominal RMS current	120	A
$I_{\Delta N}$	Differential rated RMS current	1.0	A
V_{OUT}	Output voltage @ $I_{\Delta P}$	$V_{REF} \pm (1.2 * I_{\Delta P} / I_{\Delta N})$	V
$V_{OUT(0)}^1$	Output voltage @ $I_P=0A, \theta_A=25^\circ C$	$V_{REF} \pm 0.015$	V
$V_{OUT(Error)}$	in case of error (current sensor) V_{OUT} is set	< 0.5	V
V_{REF}	internal reference voltage	2.5 ± 0.005	V
	external reference voltage range	1.4...3.5	V
$V_{REF(test\ current)}^2$	Reference voltage (external)	0 ... 0.1	V
$V_{OUT(test\ current)}^2$	Output voltage @ $V_{REF} = 0...0.1V$	$V_{OUT(0)} + 0.25 \pm 0.06$	V
K_N	Transformation ratio	(1) : 1000	
	Turns count for test winding	20	

¹ with switching on and after "test current" the sensor is degaussed by an internal AC-current for about 110ms. In this time the output is set to $V_{OUT} < 0.5V$.

² If V_{REF} is set external to 0...0.1V an internal test current is generated.

Accuracy – Dynamic performance data

		min.	typ.	max.	Unit
$I_{\Delta P,max}$	Max. measuring range (differential current)	± 1.7			A
X	Accuracy @ $I_{PN}, \theta_A = 25^\circ C$			1.5	%
ϵ_L	Linearity			1	%
V_O	Offset voltage @ $I_P = 0A, \theta_A = 25^\circ C$			± 15	mV
$\Delta V_O / \Delta \theta$	Temperature drift of V_{OUT} @ $I_P=0A, \theta_A$		0.08		mV/°C
t_r	Response time @ 90% of $I_{\Delta N}$		40		μs
f	Frequency bandwidth	DC...10			kHz

General data

θ_A	Ambient operation temperature	-40		85	°C
θ_S	Ambient storage temperature (acc. to M3101)	-40		85	°C
m	Mass		83		g
V_C	Supply voltage	4.75	5	5.25	V
I_C	Supply current at $I_P = 0A$ and RT		15		mA

¹ s_{clear}	Clearance (component without solder pad)	8			mm
¹ s_{creep}	Creepage (component without solder pad)	10			mm
¹ $U_{sys, re}$	System Voltage (reinforced insulation)			600	V_{RMS}
¹ $U_{work, re}$	Working voltage (reinforced insulation)			1000	V_{RMS}
¹ U_{PD}	Rated discharge voltage			1414	V_{PEAK}
¹ $U_{sys, basic}$	System Voltage (basic insulation)			1000	V_{RMS}
¹ $U_{work, basic}$	Working voltage (basic insulation)			2000	V_{RMS}

¹Constructed and manufactured and tested in accordance with IEC 61800-5-1:2007 Insulation material group 1, Pollution degree 2, Overvoltage category III

Date	Name	Issue	Amendment
14.02.2022	NSch.	81	Other instructions on sheet 3 changed. The color of the plastic material... added. Minor change

Hrg.: R&D-PDNPI D editor	Bearb.: DJ designer	MC-PM: NSch. check	freig.: SB released
--------------------------	---------------------	--------------------	---------------------

K-No.:26972

1A Differential Current Sensor for 5V Supply Voltage

For the electronic measurement of current:
DC, AC, pulsed ..., with galvanic isolation between
the primary and the secondary circuit

Date: 14.02.2022

Customer: Standard type

Customers Part no:

Page 2 of 3

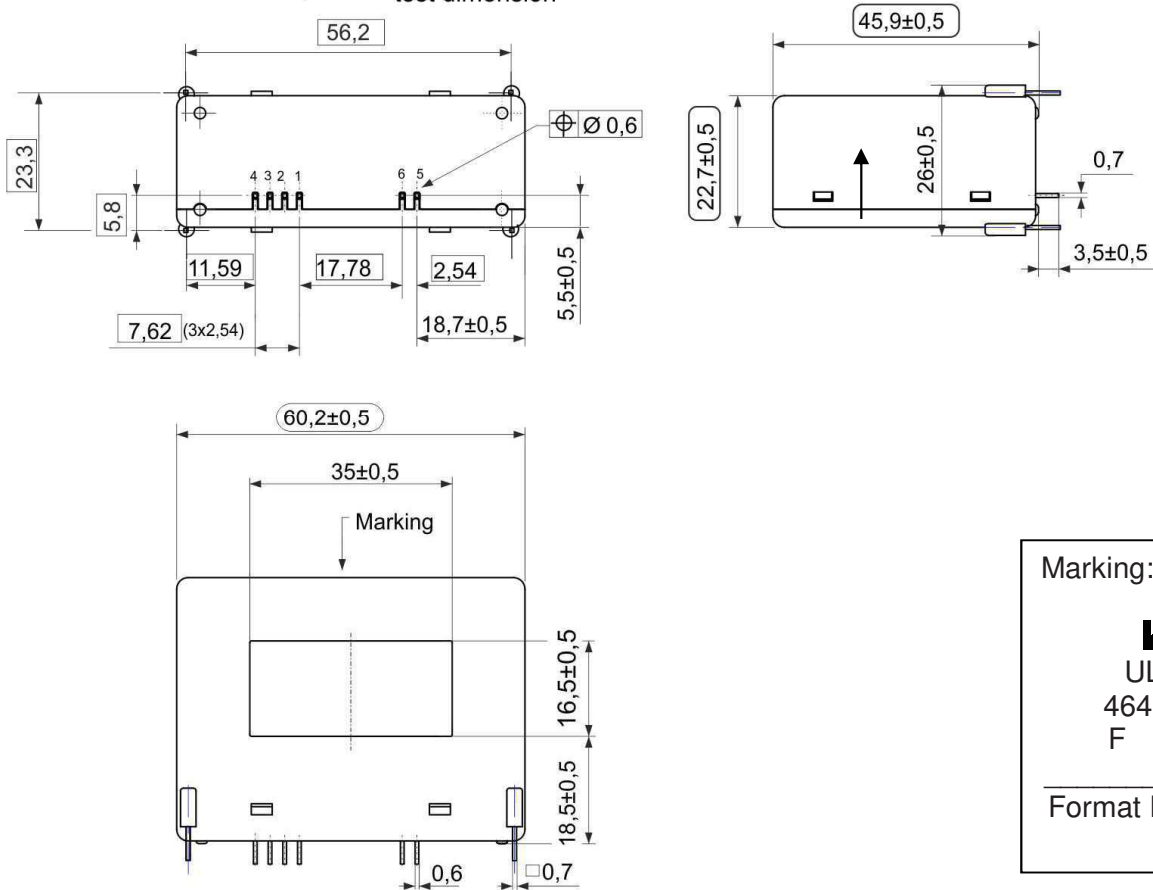
Mechanical outline (mm):

General tolerances DIN ISO 2768-c

DC = Date Code

F = Factory

test dimension



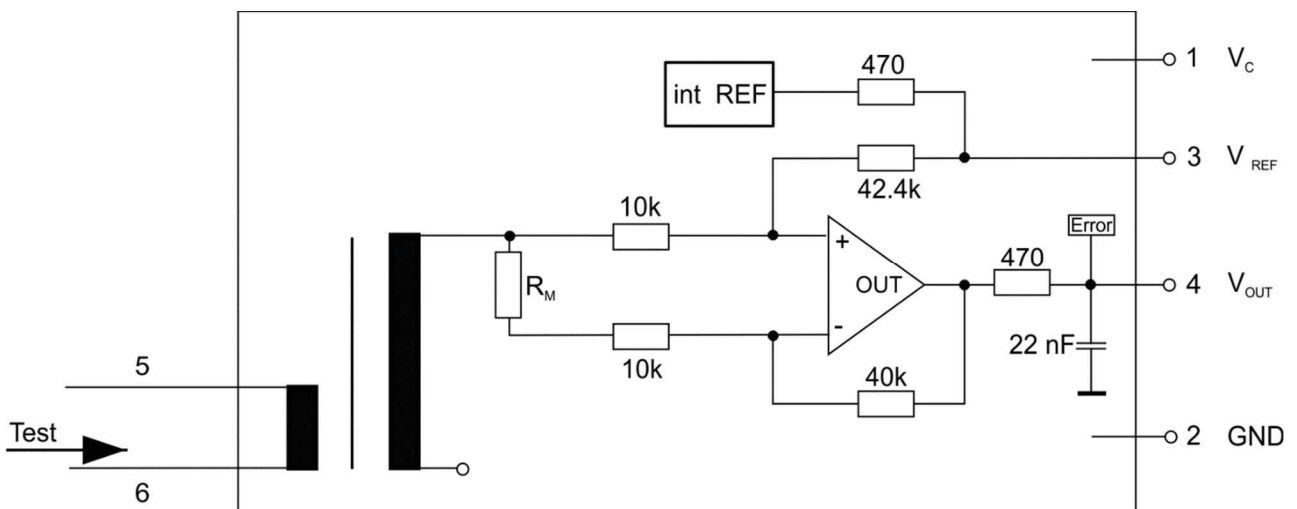
Marking:



UL-sign
4647-P980
F DC

Format DC: YYWW

Schematic diagram:



Hrg.: R&D-PDNPI D
editor

Bearb.: DJ
designer

MC-PM: NSch.
check

freig.: SB
released

K-No.:26972

1A Differential Current Sensor for 5V Supply Voltage

For the electronic measurement of current:
DC, AC, pulsed ..., with galvanic isolation between
the primary and the secondary circuit

Date: 14.02.2022

Customer: Standard type

Customers Part no:

Page 3 of 3

Electrical data: (investigate by a type checking)		min.	typ.	max.	Unit
$V_{C,max}$	maximum supply voltage (without function)			6	V
I_C	Supply current with primary current	$16mA + I_{\Delta P} * K_N + V_{OUT}/R_L$			mA
$I_{OUT,SC}$	Short circuit output current		± 20		mA
R_S	Secondary coil resistance @ $\theta_A = 85^\circ C$		55		Ω
$R_{i,REF}$	Internal resistance of reference input		470		Ω
$R_{i,OUT}$	Output resistance of V_{OUT}		470		Ω
$\Delta X_\theta/\Delta\theta$	Temperature drift of X @ $\vartheta_A = -40^\circ C \dots 85^\circ C$			400	ppm/K
$\Delta V_{REF}/\Delta\theta$	Temperature drift of V_{REF} @ $\vartheta_A = -40^\circ C \dots 85^\circ C$		5	50	ppm/K
$\Delta V_{O=}$ $\Delta(V_{OUT}-V_{REF})$	Sum of any offset drift included:		30		mV
V_{Ot}	Long term drift of V_O		10		mV
$V_{O\theta}$	Temperature drift of V_O @ $\vartheta_A = -40^\circ C \dots 85^\circ C$		10		mV
$\Delta V_O/\Delta V_C$	Supply voltage rejection ratio		20		mV/V
V_{OH}	Hysteresis of V_{OUT} @ $I_P = 0$ (after an overload of $800x I_{\Delta N}$)		125	250	mV
$V_{OH, Demag}$	Hysteresis after Degaussing			40	mV
V_{OSS}	Offsetripple (without external filter)			150	mV
V_{OSS}	Offsetripple (with 20 kHz-Filter, first order)		25		mV
V_{OSS}	Offsetripple (with 1.6 kHz-Filter, first order)		10		mV
	Mechanical stress according to M3209/3 Settings: 10-2000Hz, 1min/Octave, 2 hours		2		g

Routine Tests: (Measurement after temperature balance of the samples at room temperature, SC=significant characteristic)

V_{OUT} (SC)	(100%) M3011/6	Output voltage	1182 ... 1218	mV
V_O	(100%) M3226	Offset voltage	± 15	mV
U_d	(100%) M3014	Test voltage, 1s	1.8	kV _{RMS}
U_{PDE} $U_{PDE} * 1.875$	(AQL 1/S4) M3024	Partial discharge voltage (extinction)	1.5 1.875	kV _{RMS}

Type Tests: (Precondition acc. M3236)

\hat{U}_W	M3064	HV Impulse voltage (1.2 μ s/50 μ s wave form) 5 pulses -> polarity +, 5 pulses -> polarity -	8	kV
U_d	M3014	Test voltage, 60s	3.6	kV _{RMS}
U_{PDE} $U_{PDE} * 1.875$	M3024	Partial discharge voltage (extinction)	1.5 1.875	kV _{RMS}

Other instructions

- A positive output voltage appears at point V_{OUT} vs. V_{REF} , if primary current flows in direction of the arrow.
- Temperature of the primary conductor should not exceed $105^\circ C$.
- Housing and bobbin material UL-listed: Flammability class 94V-0.
- Housing without red phosphorous
- Further standards: UL 508, file E317483, category NMTR2 / NMTR8
- The color of the plastic material is not specified and the current sensor can be supplied in different colors (e.g. brown, black, white, natural). This has no effect on the specifications or UL approval

Hrg.: R&D-PDNPI D
editor

Bearb.: DJ
designer

MC-PM: NSch.
check

freig.: SB
released